

[www.dongincl.com](http://www.dongincl.com)



For your better life,  
Think Nature Think Environment



# DONGIN

Natural Business System  
Solution Partner

---

## CONTENTS

### PART1

|               |   |
|---------------|---|
| Contents      | 2 |
| Greeting      | 5 |
| History       | 6 |
| Business Area | 7 |
| Certification | 8 |

### PART2

|   |    |
|---|----|
| Nonpoint<br>Solutionreduction<br>Device | 9  |
| Intercepting<br>Facility                | 11 |
| Sluice Gate                             | 13 |

|                 |           |
|-----------------|-----------|
| <b>OVERVIEW</b> | <b>17</b> |
|-----------------|-----------|



For your better life,  
Think Nature & Think Environment  
**Thank you for your continual love  
and encouragement for us.**

We have carried out customer satisfaction and eco-friendly technology through continual technical innovation and creative R&D. With long standing technology and experience, we have a status of leading and outstanding company in nonpoint pollution treatment facility and flow control facility manufacturer. And we have been praised for high quality product supply from industry and customers through continual facility extension and R&D and have suggested standard of eco-friendly industry. We will continue to our best for technical innovation without being complacency.

From CEO & Employees



## HISTORY

2015

- 02 Acquired Performance certificates about Motor operated flow control device (Small and Medium Enterprise administration)
- 12 Appointed participant company concerning <Global power-10 Project> (Korea Southern Power Co., Ltd)

2014

- 03 Awarded sincere liability to pay taxes award certificate (Ministry of Strategy and Finance)
- 09 Acquired direct production certificate about floodgate
- 11 Acquired direct production certificate about general filter
- 12 Acquired Women's Business confirmation

2013

- 11 Awarded silver prize from the speech contest concerning the successful case of patent technology transfer business (Korea Intellectual Property Office)
- 12 Selected technology innovation company (INNO-BIZ)

2012

- 06 Relocation of head office and factory to Hwajeon Industrial Complex (Gangseo-gu, Busan)
- 09 Acquired KS Mark Non-point pollution reduction facility

2009

- 05 Acquired Nonpoint pollution reduction facility performance certificate (Small and Medium Enterprise administration)

2007

- 06 Appointed technical innovation company by Initial rainwater intercepting and water storage facility (Small and Medium Enterprise administration)
- 08 Appointed technology transfer development project company (Small and Medium Enterprise administration)
- 11 Participated in International Water and Sewage EXPO 2007

2006

- 06 Acquired Quality management system certificate [ISO 9001]
- 07 Excellent invention product trial good production [Korea invention promotion association]
- 08 Registered cooperative company of Korea Southern Power Co., Ltd.

2005

- 01 Established Dongin Co., Ltd
- 06 Korea Water Treatment Association article registered (Korea Water Treatment Association Vol.13, No.2)  
  
Title : Reduction of release and water quality improvement using nonpoint pollution blocking facility

# BUSINESS AREA

Through the challenge to the world,  
We will become the best company in rainwater  
management industry.

With technological advancements and professional experiences,  
We will lead rainwater management business.



### Nonpoint Pollutants Treatment Facility

- Nonpoint pollutants treatment system
- CMF- catch basin insertion type

### Flow Control Device

- Non-motorized Float type flow control device
- Motor proportional control type flow control device

### Floodgate

- Float type automatic floodgate
- Emergency floodgate blocking system
- Odor prevention curtain gate
- Flood prevention gate
- Weir gate
- D.I gate

# CERTIFICATION

## Patents



## Design certificate, Utility model



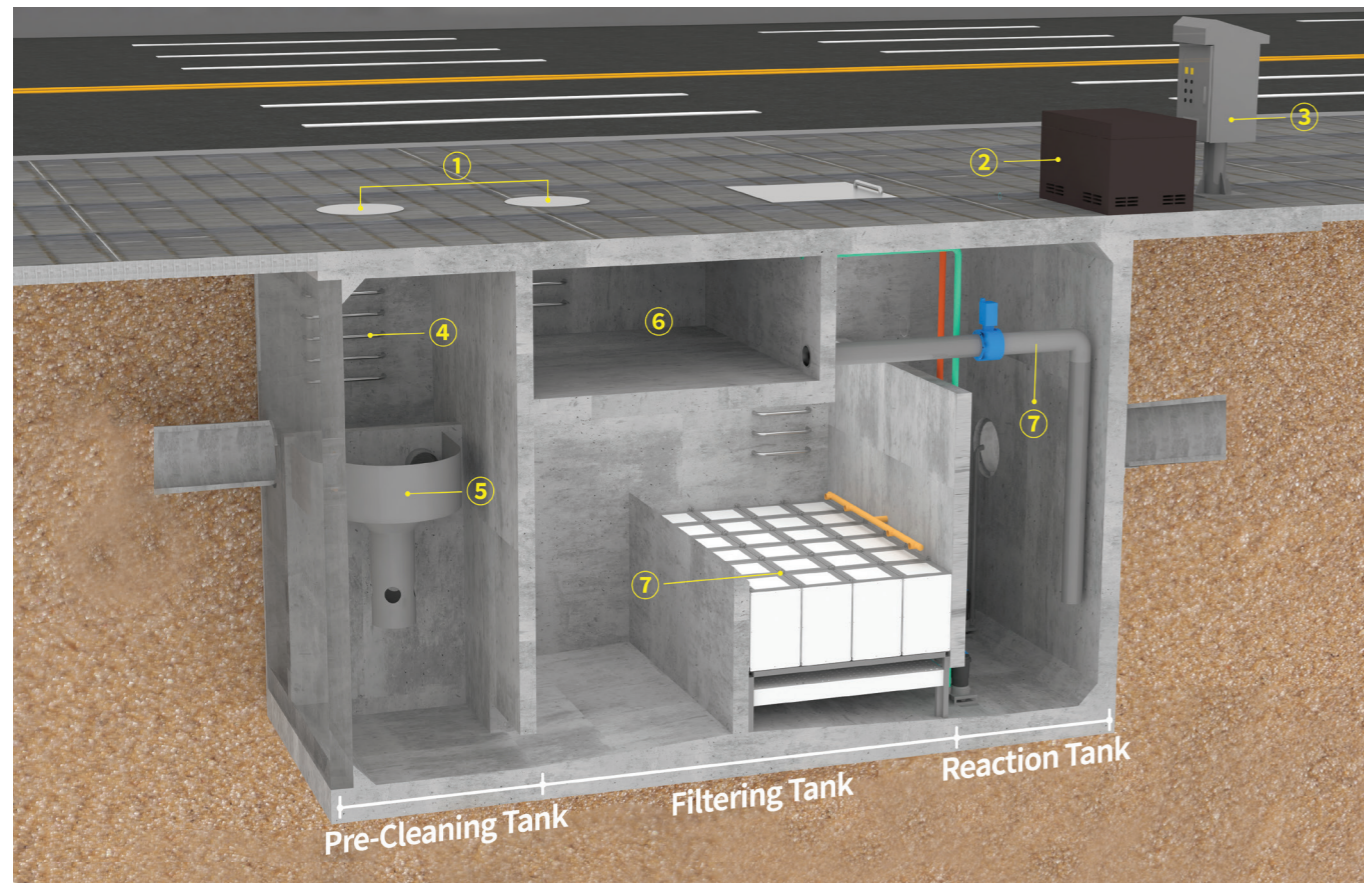
## Etc





# Nonpoint Pollutants Treatment Facility

## Nonpoint Pollutants Treatment Facility Structure



## Nonpoint Pollutants Treatment Facility name by structure

- ① Maintenance manhole
- ③ Control system
- ⑤ Oil-water separator
- ⑦ Cartridge filter

- ② Blower box
- ④ Maintenance ladder
- ⑥ Backwashing water tank
- ⑧ Backwashing water pipe

## Nonpoint pollutants treatment system

Nonpoint pollutants treatment system prevents that NPS is flowed with rainfall effluent and causes water or soil pollution. It reduces NPS effectively and makes NPS discharge to stream or river.

What is NPS(Nonpoint Pollution Source)?

NPS is caused by rainfall or snowmelt moving over and through the ground. As the runoff moves, it picks up and carries away natural and human-made pollutants, finally depositing them into lakes, rivers, wetlands, coastal waters and ground waters.

### Features

- Foreign substances are collected in cartridge filter and separated by back washing with air and water
- Dead water and backwashing water are filtered and discharged to near stream or sea. It means you can install and manage this product without sewage/waste water treatment plant
- SS removal efficiency more than 83%, T-P & heavy metals removal efficiency more than 65%
- Automatic system that senses the beginning and the end of rainfall.
- Cartridge filter is changed and repaired easily so you can curtail construction period and maintenance cost.
- Our suction dredge pipe can adjust top and bottom and easily do suction dredge on the ground.

## CMF- catch basin insertion type

CMF- catch basin insertion type is Nonpoint pollutants treatment system installed at drainage hole and catch basin on the road or bridge. It can reduce harmful substance and NPS from on the road way.

### Installation Process



1. Separation of grating

2. Installation

3. Checking and cleaning the inside of the catch basin

4. Installation Complete



## Flow Control Device

### Non-motorized Float type flow control device

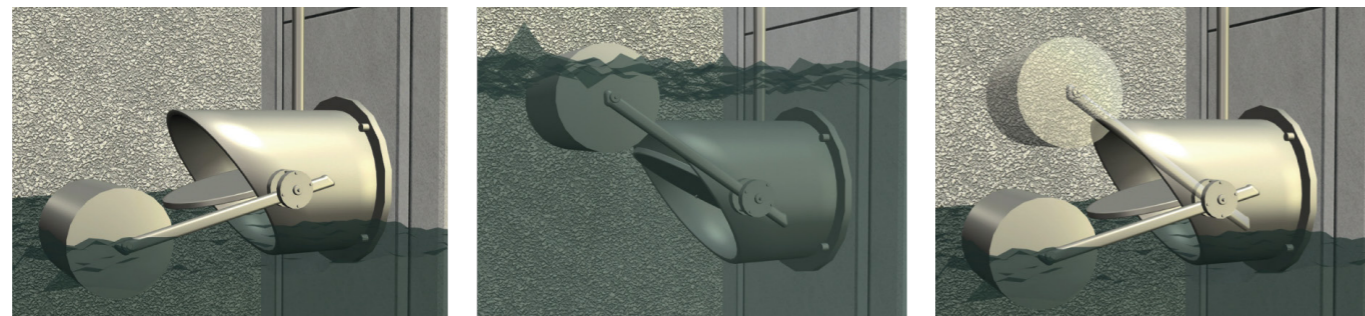


This is flow control device and it discharge all sewage water when it is fine weather. When it rains, only initial rainwater including NPS is discharged to sewage treatment plant. By this product, we can preserve the stream and efficiently manage the treatment plant.

#### Features

- Opens and shuts by non-motorized and simple structure and easy maintenance
- Control the flow depending on the amount of rainwater and sewage treatment plant for each area.
- Adjust buoy's angle and change the entrance (you can adjust amount of treatment and location of device)
- Rain water soil part is compact so you can applicate this product to existing water soil part as well.

### Principle of Non-motorized Float type flow control device



1. Pressure water in the initial rain fall is inflow by automatic flux control device to the treatment tank

2. In case of heavy rain, inflow is automatically controlled by automatic control device to block inflow.

3. If heavy rain stops, the reduction of inflow leads to the automatic disk opening

### Motor proportional control type flow control device

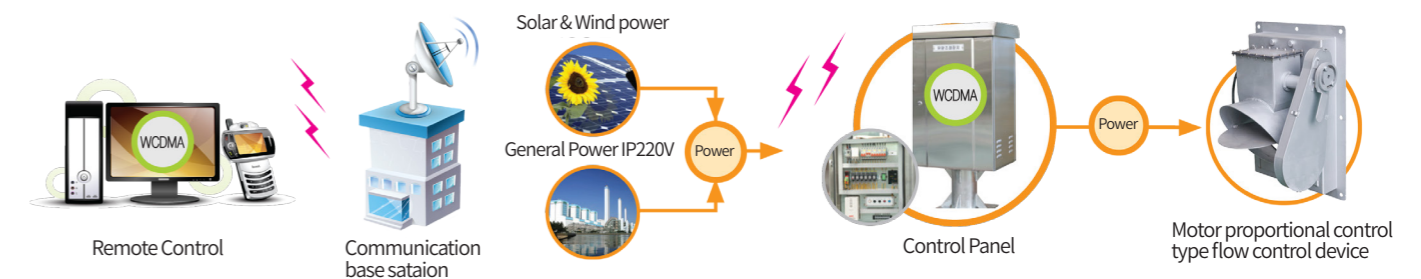


This product is flow control device and it has motor proportional control option. including electric manipulator and remote control system by nautre energy. It open/closes sewage ducts and increase treatment effieceny in sewage treatment plant.

#### Features

- You don't need power supply to the product when it is fine weather so you can control the flow proportionally with low electricity and high efficiency.
- Regardless of size, it has same shape and form. Accessories are same as well so mantaince is easy.
- It recognizes disk opening/closure and notifies to central control center

### Flow control device's remote control system



· As it requires less consumption power(about 15W) , it can apply general power and solar and wind power generation system.

· As it equips CDMA function, it can be monitored and controlled at anytime and anywhere.

· It adopts uninterruptable power supply for stable operation during black out.



## Floodgate



### Float type automatic floodgate

When there is any risk of flood by river level or high tide, automatic blocking is made by buoyancy of buoy. If the river level or sea level decreases disk is open by self-weight and it can prevent flood. It can prevent backdraft by automatic open/close.

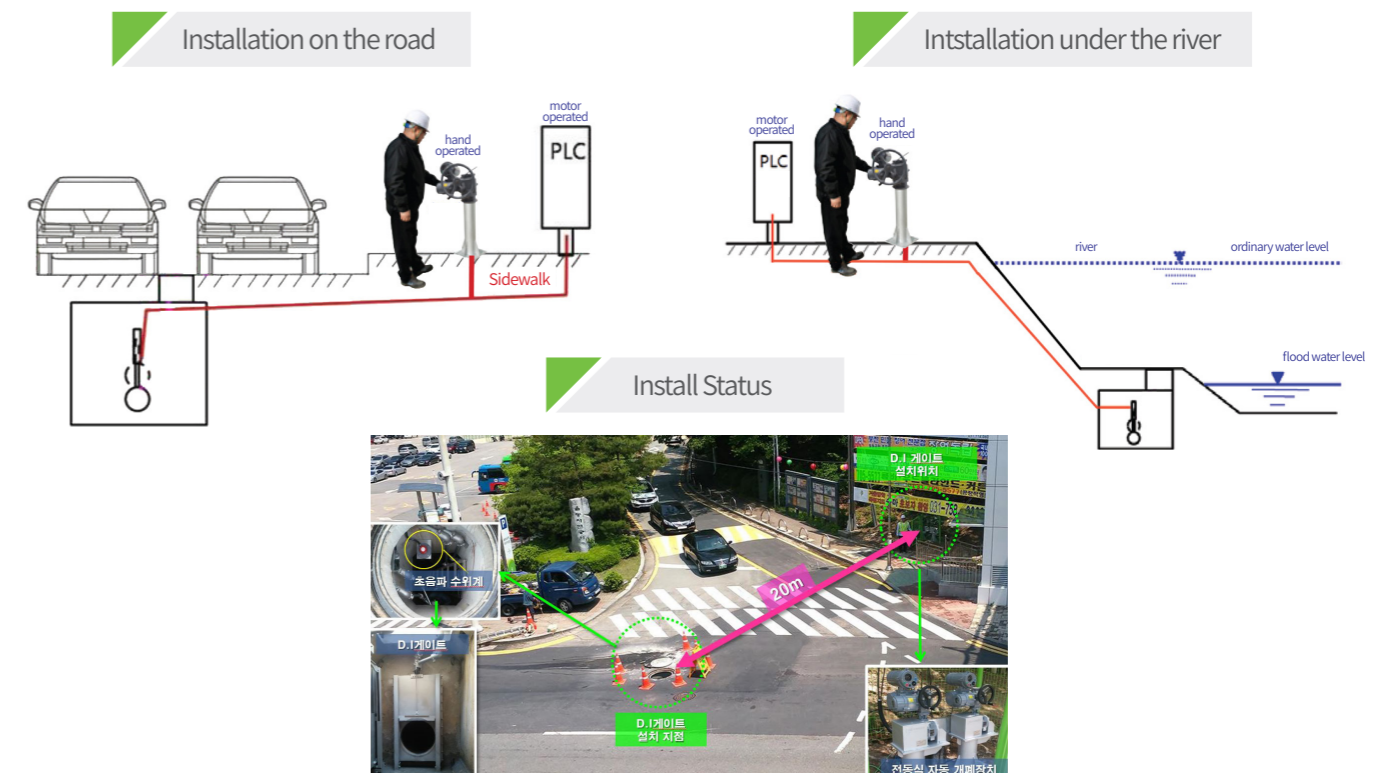
### Emergency floodgate blocking system

The system manufactured by Dongin Co.,Ltd. prevents water pollution of discharge rivers in advance by urgently blocking the floodgate in the event of accident water(toxic matter, oil) occurrence; also, in the event of an emergency like power failure, etc., this gate makes it possible for air pressure to be supplied to the top part of the cylinder using the emergency-blocking valve operated by emergency power supply, and compressed oil pressure at the accumulator.



### D.I gate

D.I Gate manufactured by Dongin Co.,Ltd. doesn't require the top slav structure installation for opening and closing the gate, and it is a floodgate which makes it possible to open and close the gate through the manual system/motor-operated system/remote system in any cases like a bended spot, blind spot and a long distance, etc.



### Features

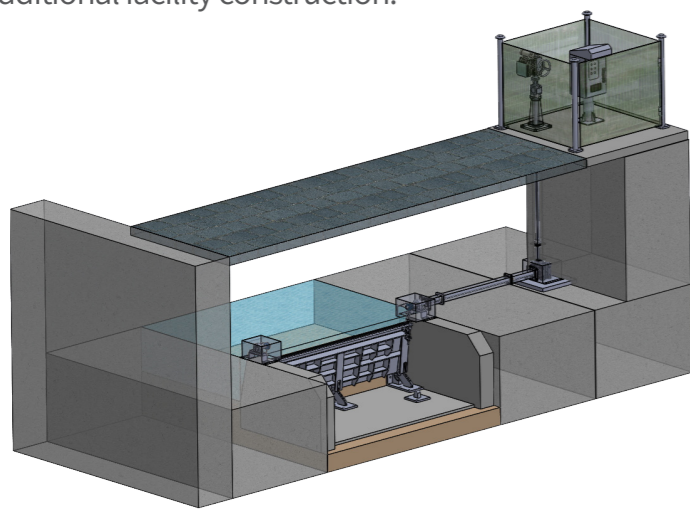
- It's easy to install the gate at a bended blind spot.
- The simple gate structure and compact opening & closing device make it easier to install.
- The gate is structured with the function of protecting the slide and sheet(oring) from tear in the event of opening and closing
- Its structure doesn't require the top concrete slab, and it can be installed even at a river bank.
- This gate is equipped with a balancing device at a driving part, so it is available for gate opening & closing even with a small force, and power consumption is small in case of the motor-operated system.
- This gate is organized to make it possible to safely open and close through the motor-operated open/shut system installed by the sidewalk in the event of the opening and closing of the product installed on the street.



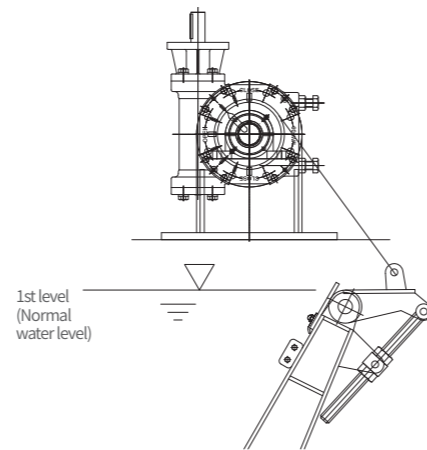
## Floodgate

### Weir gate

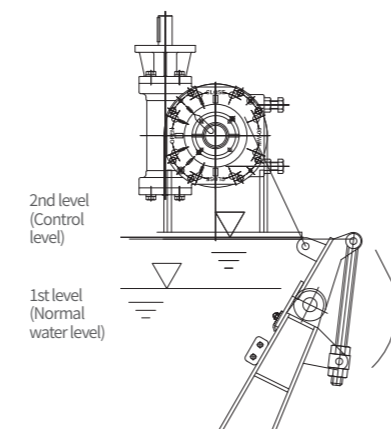
The weir gate manufactured by Dongin Co.,Ltd. is available for operation in the manual/moto-operated/remote system, and it is installed & operated for in-ground water level control, such as a comparatively narrow tributary river, or reservoir, dead-end part of rainfall drainage box, and rainfall storage facility, etc.; also, in case of a need for additional land-locked water, this weir gate makes it possible to stably regulate the water level by simply regulating top and bottom using the reserve floodgate mounted in the main body of the existing weir gate even without an additional facility construction.



Principle of the product



Principle of the product



### Features

- It consists of manual/automatic actuator, rotation axis, and wire rope, so equipment manufacturing costs less.
- The gate is opened and shut when plural couplings stably transfer power through the rotation axis.
- Every axis is installed with a coupling, so it's available for partial maintenance.
- Through the reserve floodgate available for height adjustment, this gate stably regulates flux and water level without additional re-construction.

### Flood prevention gate

Flood prevention gate is installed in seashore. During the normal period, it is protected with gate frame and if there is any risk of flooding, it is operated manually or automatically to prevent overflow. It can prevent flooding by typhoon or tsunami.



### Features

- Convenient installation, hand/motor operated.
- Simple shape and consumes less electricity.
- No deformation (Box shaped gate structure).
- Remote control and monitoring system.

### Odor prevention curtain gate

The odor prevention curtain gate manufactured by Dongin was developed with the aim of solving several problems arising from the river bank drainage hole, or storm sewer/storm box terminal part, and sewage outlet shields(vinyl curtain) at the river side wall, guaranteeing the pleasant environmental space through its eco-friendly design and structure.



### Features

- Perfect block of odor and insect inside box.
- Always closed at normal times without being affected by wind speed and smooth opening/closing available by water level difference in the event of raining.
- Easy structure and strong durability.
- Special entrance and Access hole makes cleaning and maintenance easy

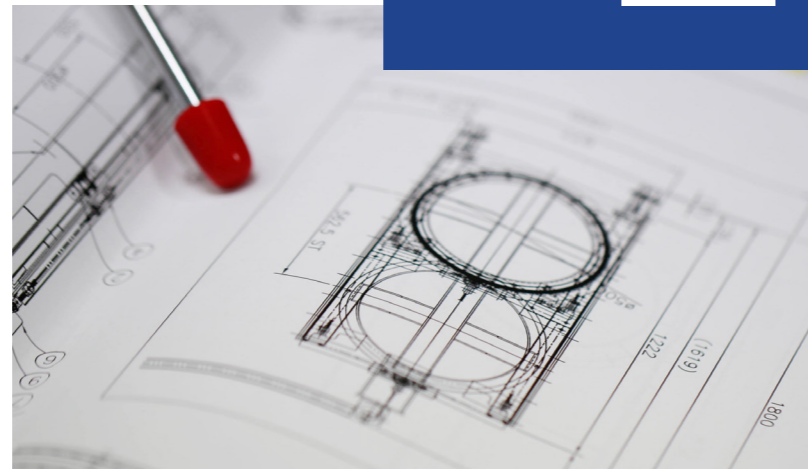


# OVERVIEW



## Dongin People

Sincere mind & Creative Thinknig



## Dongin Product

Best Quality & High Technology







Natural Business System  
Solution Partner

# DONGIN



We have carried out customer satisfaction and eco-friendly technology through continual technical innovation and creative R&D.

With long standing technology and experience, we have a status of leading and outstanding company in nonpoint pollution treatment facility and flow control facility manufacturer.

And we have been praised for high quality product supply from industry and customers through continual facility extension and R&D and have suggested standard of eco-friendly industry.

We will continue to our best for technical innovation without being complacency.







9, Hwajeonsandan 6-ro 66beon-gil, Gangseo-gu  
Busan, Republic of Korea  
Tel : 051.831.9636-7 / Fax : 051.831.1830  
E-Mail : [donginhc@hanmail.net](mailto:donginhc@hanmail.net)  
H.P : [www.dongincl.com](http://www.dongincl.com)